

# High Current Feed-Thru Capacitors



Texas Spectrum Electronics High Current Feed-Thru Filters are widely used in very demanding Military and Industrial applications. They are Manufactured to the General Requirements of MIL-PRF-15733

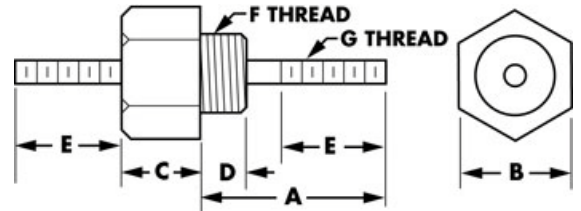
**Applications**

- RF Multifunction Assemblies
- Aircraft Power systems
- RF Amplifiers
- Switch Mode Power supplies
- DC-DC Converters
- Communications Equipment

**Rating**

- Current up to 200 Amps
- DC Voltage to 600 VDC
- AC Voltage to 240 VAC
- DWV to 1500 VDC
- 400Hz Rating available
- Larger Capacitance available

Rugged Brass Tin Plated case with Hardware Supplied  
 Epoxy Sealed ULV94V-0  
 Hermetic Seal Option



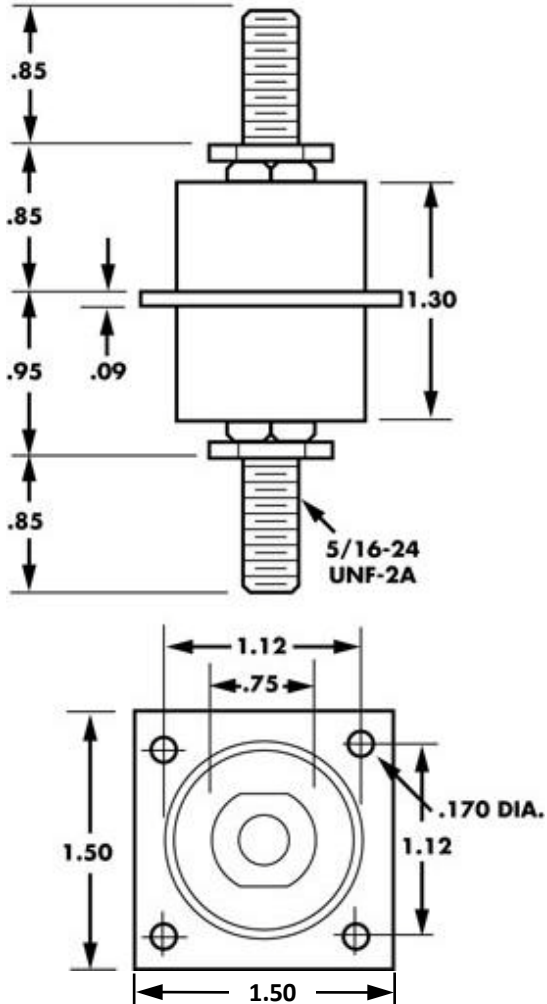
PART NO.	CURRENT	VOLTAGE		MAX CAPACITANCE	A	B	C	D	E	F	G
		AC	DC								
CR37BXXXX*	25	--	100	0.082 $\mu$ f	0.75	0.56	0.40	0.25	0.30	3/8-24	8-32
CR37CXXXX*	25	140	200	0.039 $\mu$ f	0.75	0.56	0.40	0.25	0.30	3/8-24	8-32
CR37EXXXX*	25	240	600	0.01 $\mu$ f	0.75	0.56	0.40	0.25	0.30	3/8-24	8-32
CR44BXXXX*	50	--	100	0.18 $\mu$ f	0.90	0.62	0.51	0.31	0.40	7/16-28	12-32
CR44CXXXX*	50	140	200	0.12 $\mu$ f	0.90	0.62	0.51	0.31	0.40	7/16-28	12-32
CR44EXXXX*	50	240	600	0.018 $\mu$ f	0.90	0.62	0.51	0.31	0.40	7/16-28	12-32
CR62BXXXX*	100	--	100	0.56 $\mu$ f	0.90	0.81	0.51	0.31	0.40	5/8-24	1/4-28
CR62CXXXX*	100	140	200	0.33 $\mu$ f	0.90	0.81	0.51	0.31	0.40	5/8-24	1/4-28
CR62EXXXX*	100	240	600	0.047 $\mu$ f	0.90	0.81	0.51	0.31	0.40	5/8-24	1/4-28
CR69BXXXX*	200	--	100	0.82 $\mu$ f	1.12	0.87	0.62	0.37	0.50	11/16-24	5/16-24
CR69CXXXX*	200	140	200	0.33 $\mu$ f	1.12	0.87	0.62	0.37	0.50	11/16-24	5/16-24
CR69EXXXX*	200	240	600	0.1 $\mu$ f	1.12	0.87	0.62	0.37	0.50	11/16-24	5/16-24

\* XXXX specifies Capacitance in pF and Tol. First XX are Significant Digits. The third X is number of following Zeros. The forth X is the Tolerance: K =  $\pm$ 10%, M =  $\pm$ 20%, Z = +80%,-20%, G = GMV

# High Current Feed-Thru Filters

For Flange mounted and Higher Capacitance applications, the 1FR4166 series 200 Amp High Current Feed-thru Capacitors can also be used.

## P/N 1FR4166



DASH NO.	VOLTAGE	CAPACITANCE
-1	50 VDC	.10uF
-2	50 VDC	.27uF
-3	50 VDC	.50uF
-4	50 VDC	1.0uF
-5	50 VDC	1.5uF
-6	50 VDC	2.0uF
-11	100 VDC	.047uF
-12	100 VDC	.10uF
-13	100 VDC	.27uF
-14	100 VDC	.50uF
-15	100 VDC	1.0uF
-21	200 VDC	.047uF
-22	200 VDC	.10uF
-23	200 VDC	.27uF
-24	200 VDC	.50uF
-31	115 VAC	.047uF
-32	50 TO	.068uF
-33	400 Hz	.10uF

**Note: Texas Spectrum Electronics can quickly modify the mounting configuration for any of these products**

TEMPERATURE RANGE  
 DIELECTRIC WITHSTANDING VOLTAGE  
 INSULATION RESISTANCE  
 CASE  
 FINISH  
 INSTALLATION

-55C TO -125C  
 DC = 2X VOLTAGE RATING, AC = 800 Volts  
 1000 MEGOHMS MIN.  
 STEEL PER QQ-S-763  
 TIN PLATE, FUSED PER ASTM B545-97  
 RECOMMEND TORQUE 35 LB. IN. MAX



Texas Spectrum Electronics is a Veteran Owned Small Business Concern founded in 1976 to meet specific military and aerospace requirements for high quality and reliability custom filters and surge suppressors. Our product lines are designed to aid system compliance with several MIL standards for conductive EMI and transient voltage suppression.