

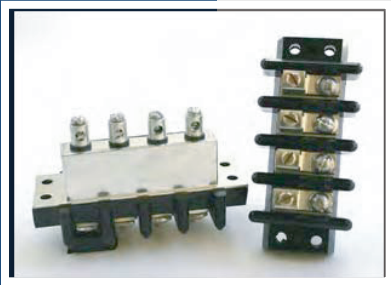
Texas Spectrum Electronics, Inc



For over three decades, Texas Spectrum Electronics has been providing the military, aerospace and industrial communities with Electromagnetic Interference (EMI) products. TSE has become recognized as a manufacturer of quality EMI/RFI filters, feed-thru capacitors and other related components helping to solve Electromagnetic Compatibility (EMC) problems.

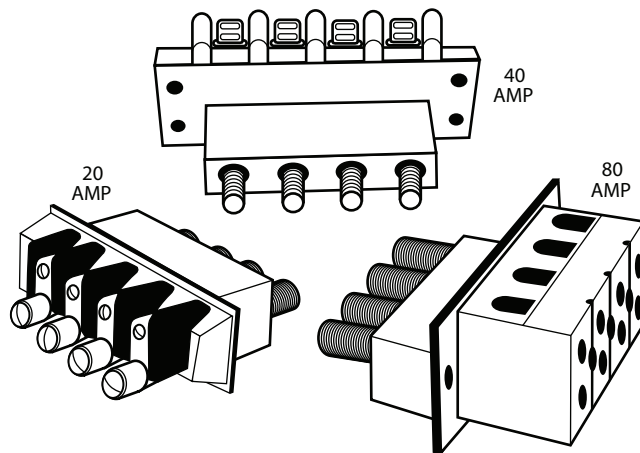
High Current Filtered Terminal Blocks

APPLICATIONS

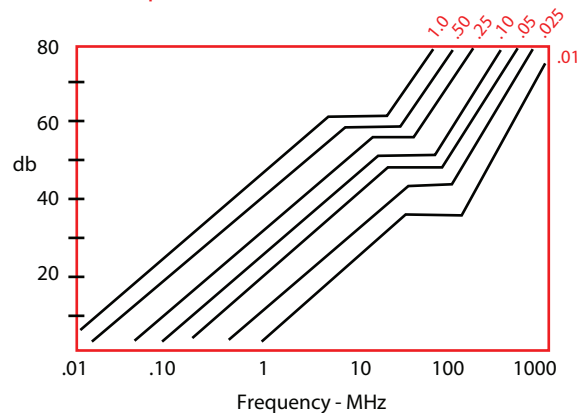


- TELECOM EQUIPMENT
- INDUSTRIAL CONTROLS
- POWER LINES
- POWER SUPPLIES

GENERAL SPECIFICATIONS



INSERTION LOSS
Capacitance in Microfarads



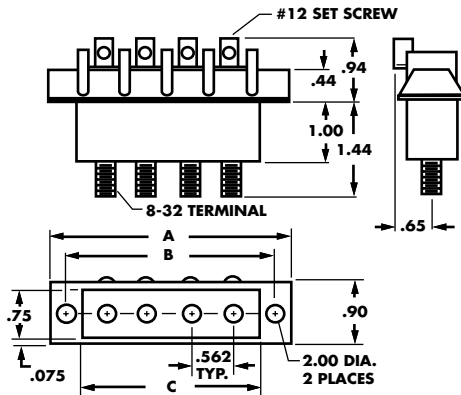
- CURRENT RATINGS: 20A, 40A, 80A
- VOLTAGE RATINGS: 100V, 200V, 600V
- TWO TO SIX TERMINALS (OTHERS AVAILABLE)
- RUGGED CONSTRUCTION



20 AMPS

100,200,600 VOLTS

PART NUMBER	VOLTAGE	MAXIMUM CAPACITANCE
*FTB020CXXX	100	.47 μ f
*FTB020DXXX	200	.26 μ f
*FTB020GXXX	600	.05 μ f



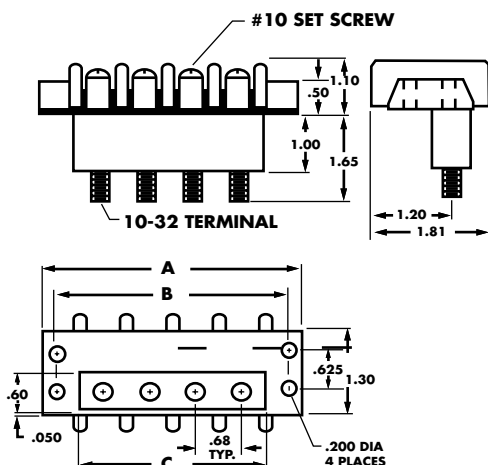
# OF TERMINALS	A	B	C
2	2.09	1.68	1.24
3	2.65	2.25	1.81
4	3.22	2.81	2.37
5	3.78	3.37	2.93
6	4.34	3.93	3.49

* Insert number of terminals
 XXX Insert capacitance in picofarads
 Third digit is the number of zeros
 ie: 253=25,000pf (.025 μ f)

40 AMPS

100,200,600 VOLTS

PART NUMBER	VOLTAGE	MAXIMUM CAPACITANCE
*FTB040CXXX	100	.40 μ f
*FTB040DXXX	200	.15 μ f
*FTB040GXXX	600	.047 μ f



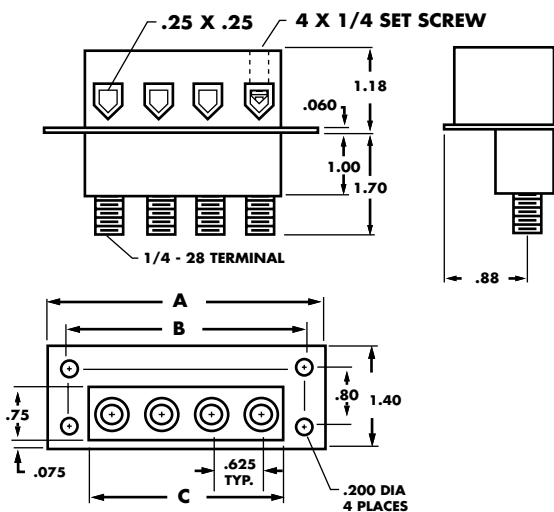
# OF TERMINALS	A	B	C
2	2.50	2.06	1.37
3	3.19	2.75	2.06
4	3.88	3.44	2.75
5	4.56	4.13	3.44
6	5.25	4.81	4.12

* Insert number of terminals
 XXX Insert capacitance in picofarads
 Third digit is the number of zeros
 ie: 253=25,000pf (.025 μ f)

80 AMPS

100,200,600 VOLTS

PART NUMBER	VOLTAGE	MAXIMUM CAPACITANCE
*FTB080CXXX	100	.40 μ f
*FTB080DXXX	200	.15 μ f
*FTB080GXXX	600	.047 μ f



# OF TERMINALS	A	B	C
2	2.21	1.71	1.16
3	2.83	2.33	1.78
4	3.45	2.95	2.41
5	4.08	3.58	3.03
6	4.71	4.21	3.66

* Insert number of terminals
 XXX Insert capacitance in picofarads
 Third digit is the number of zeros
 ie: 253=25,000pf (.025 μ f)

Texas Spectrum Electronics, INC

120 Regency Drive · Wylie, Texas 75098
 Phone: 972-296-3699 · Fax: 972-296-7881
 Email: sales@texasspectrum.com
 Website: www.texasspectrum.com

- Custom EMI Filters
- Surge Suppression
- High Current Feed-Thru Capacitors
- Miniature EMI Filters
- DC/DC Converter Filters
- Filter Arrays
- Filter Connectors
- High Current Filtered Terminal Blocks
- Custom Assemblies

